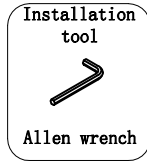
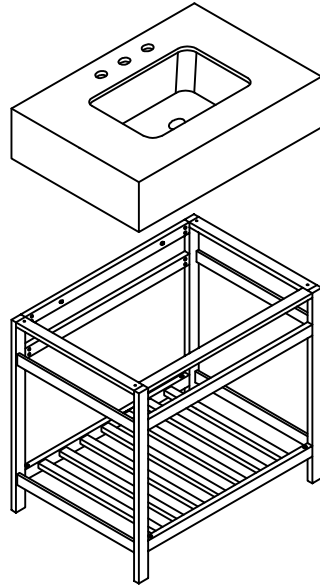


ALTAIR

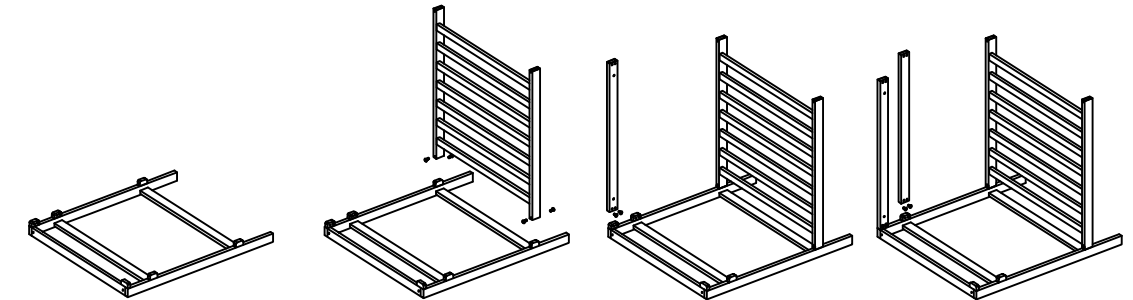
FASHION BATHROOM LIFE

M0130 Assembly instructions

1. Please read the instruction manual before installing and using the furniture.
2. Please assemble in strict accordance with the assembly instructions.
3. Please check carefully to ensure that all parts in the box are intact.
4. Please install it on the packing box to avoid damage to the product
5. Only use a rag or slightly damp cloth to clean the surface of the furniture, do not use strong scrubbing agents.
6. The use of unmatched hardware may cause damage to the product. Please confirm the specifications of various hardware accessories before installation.



Installation steps

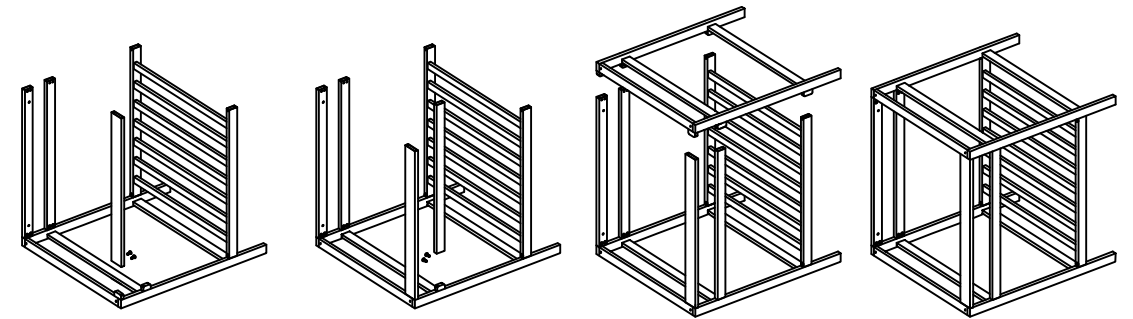


Step1:
First, lay the left border flat on the ground, paying attention to the paper skin on the pad

Step2:
The bottom shelf is then inserted into the frame and secured with hex screws

Step3:
Then slip in the rear pull-out bar

Step4:
Add universal pull strip1



Step5:
Add universal pull strip2

Step6:
Add universal pull strip3

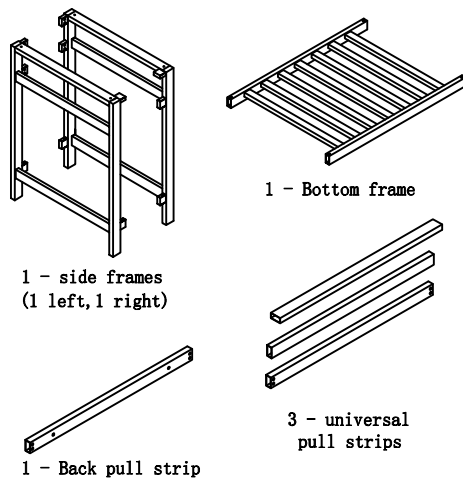
Step7:
Then put the right border in

Step8:
Assembly complete

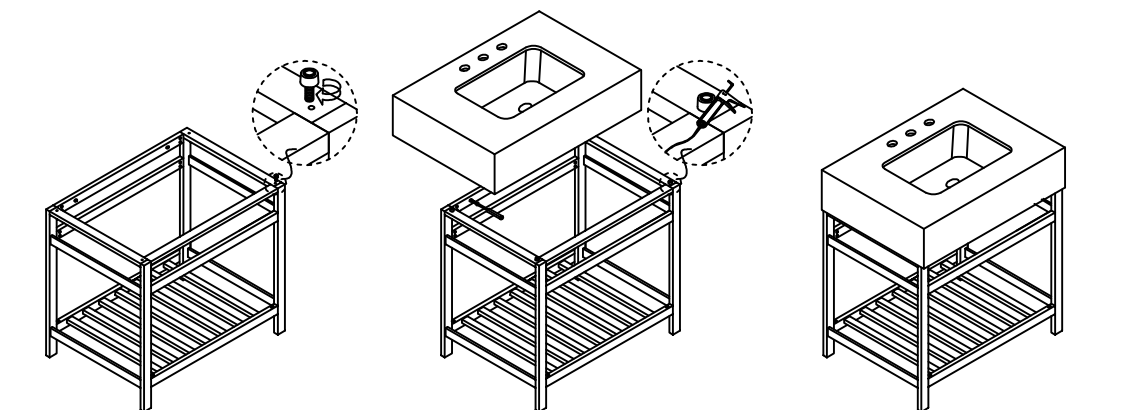
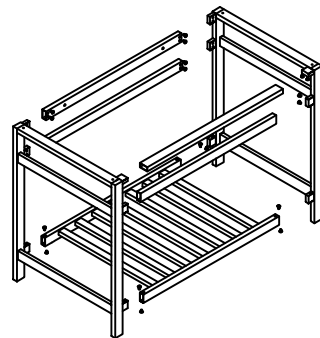
Hardware accessories list

<p>A</p>  <p>Fixing ScrewX4</p>	<p>B</p>  <p>Hexagon Socket ScrewsX26</p>	<p>C</p>  <p>Allen WrenchX2</p>
--	--	--

Components



Exploded general drawing



Step9:
Then arrange the cabinet and lock the positioning pieces

Step10:
The rear horizontal frame locks the wall, then add silicone to attach frame

Step11:
Place the countertop on the frame and the installation is complete